

MKE 300

Microphones | Back-Electret Condenser Microphone

Cat. No. 003171

General Description

The MKE 300 has been specially designed for use on film and video cameras/camcorders. It is fitted onto the camera's flashmount and by virtue of its super-cardioid/lobar pick-up pattern picks up the sound coming from the direction the camera is pointing at. Colour: anthracite.

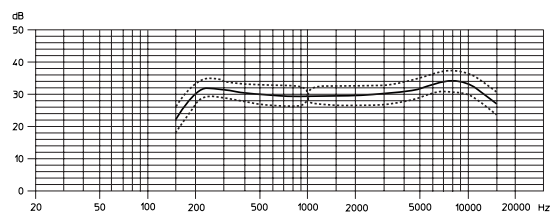
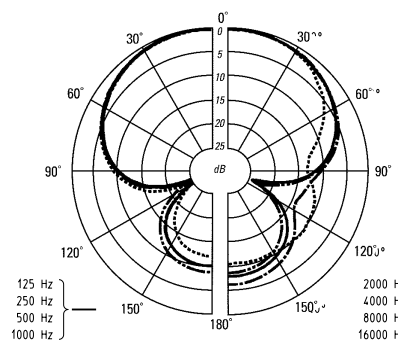


Features

- High directivity
- Sprung-mounted capsule ensures effective suppression of handling noise
- Integral power supply using an LR 44 battery (button cell)
- On/off switch with battery status indication
- Flashmount adaptor
- Quality sound with picture
- Delivery includes: 1 MKE 300 with integral foam windshield and connection cable, 1 protection case

Technical Data

Pick-up pattern	super-cardioid/lobar
Frequency response	150 – 17,000 Hz ± 3 dB
Sensitivity (free field, no load, 1 kHz)	16 mV/Pa ± 2.5 dB
Nominal impedance	200 Ω
Min. terminating impedance	2.7 kΩ
Equivalent noise level	
A-weighted (DIN IEC 651)	18 dB
CCIR-weighted (CCIR 468-3)	28 dB
Max. SPL (1 kHz)	116 dB (THD = 1 %)
Power supply	1.5 V battery
Battery life	200 h
Connector	3.5 mm Ø mono jack
Cable	helical cable
Dimensions	230 x 65 x 50 mm
Weight	approx. 60 g



Profile

Super-cardioid/lobar directional microphone, frequency response 150 – 17,000 Hz ± 3 dB, sensitivity (free field, no load) 16 mV/Pa ± 2.5 dB at 1 kHz, nominal impedance 200 Ω, min. terminating impedance 2.7 kΩ, max. SPL 116 dB at 1 kHz (THD = 1 %), power supply 1.5 V battery, battery life 200 h, 3.5 mm Ø mono jack plug, helical cable, dimensions 230 x 65 x 50 mm, weight approx. 60 g.